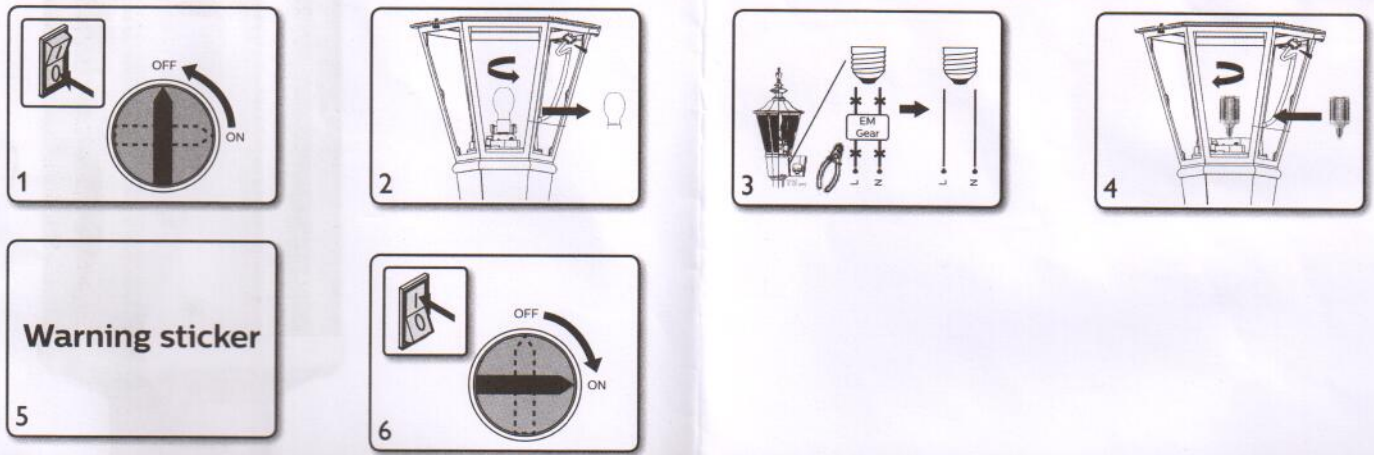
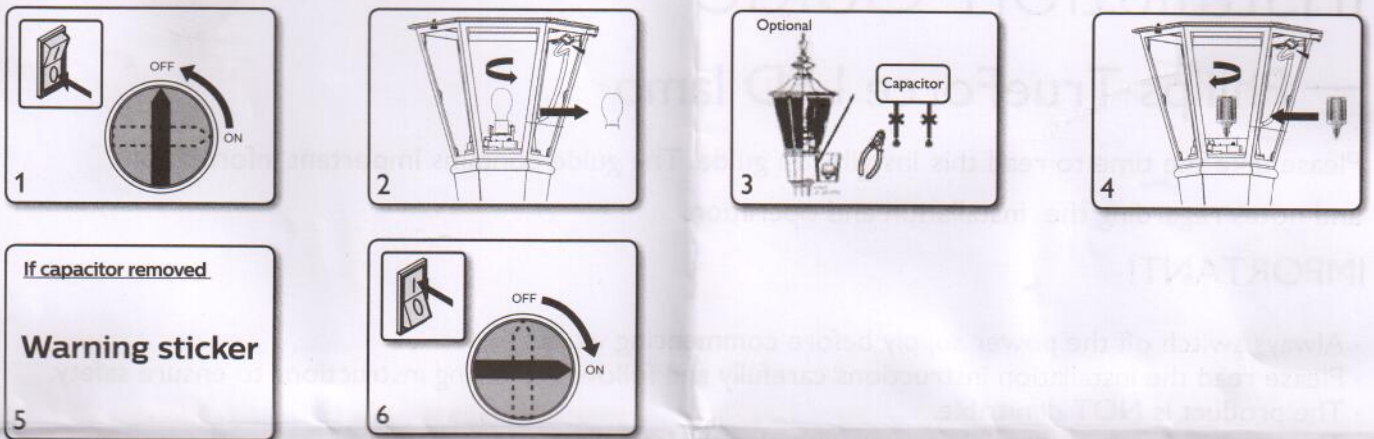


For replacing HPL/SON/Other Lamps, Convert to Main Voltage (Recommended)

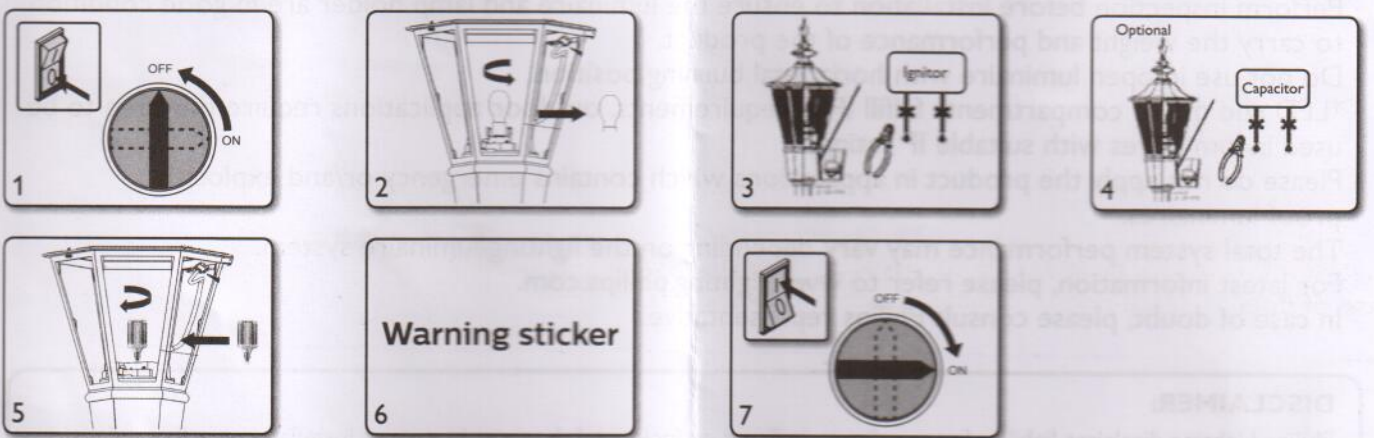


For replacing HPL Lamps + keeping the EM ballast



- After capacitor is removed, open wires should be terminated properly.
- If capacitor remains the power factor might be lower.

For replacing SON Lamps + keeping the EM ballast



- After capacitor/ignitor is removed, open wires should be terminated properly.
- If capacitor remains the power factor might be lower.



© 2018 Philips Lighting  
 All rights reserved. Reproduction in whole or in part is prohibited without the prior written consent of the copyright owner. The information presented in this document does not form part of any quotation or contract, is believed to be accurate and reliable and may be changed without notice. No liability will be accepted by the publisher for any consequence of its use. Publication thereof does not convey nor imply any license under patent or other industrial or intellectual property rights.

The luminaire has been modified and can no longer operate with the originally specified lamp. In the future only use specified Philips TrueForce LED lamp or LED solution with the same specifications.

**PHILIPS**



# Installation Guide

## — Philips TrueForce LED lamp

Please take the time to read this installation guide. The guide contains important information and notes regarding the installation and operation.

### IMPORTANT!

- Always switch off the power supply before commencing work!
- Please read the installation instructions carefully and follow the wiring instructions to ensure safety.
- The product is NOT dimmable.
- The product is not compatible to use with electronics ballast.
- This product is not compatible to use with ignitor.
- Suitable for use in operating temperature range between  $-40^{\circ}\text{C}$  to  $+55^{\circ}\text{C}$ .
- Do not change the structure or any components of the product to ensure safety.
- The product is designed to fit in standard IEC compliant E27 lamp holders.
- The product should be installed by qualified professional.
- Perform inspection before installation to ensure the luminaire and lamp holder are in good condition to carry the weight and performance of the product.
- Do not use in open luminaire with horizontal burning position.
- \*LED and driver compartments fulfill IP65 requirements, outdoor applications require the lamp to be used in luminaires with suitable IP rating.
- Please do not apply the product in applications which contains emergency or/and explosive proof luminaires.
- The total system performance may vary depending on the lighting/luminaire system.
- For latest information, please refer to [www.lighting.philips.com](http://www.lighting.philips.com).
- In case of doubt, please consult Philips representative.

#### DISCLAIMER:

Philips Lighting disclaims liability for any direct, indirect or incidental damages in case of installation performed either not according to this guide or not performed by a professional electrician.

CE

RoHS  
COMPLIANT

IP65\*

**PHILIPS**